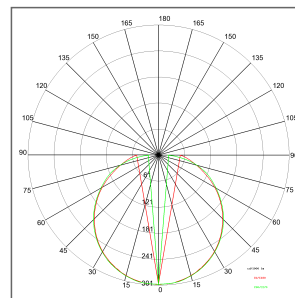


JUPITER XL
COD: 62142-LBC

Use:
inside, led
Installation:
Wall/Ceiling mounted
Body/structure:
Steel body
Coating:
Epoxy powder coating for inside use
Colour:
White
Glass/diffuser:
Polycarbonate opal diffuser
Cable gland:
Silicon rubber cable gland
Control gear:
LED driver

Voltage: 220-240V 50/60Hz
Beam angle: Simmetric flood beam
Insulation class: Insulation class 1
IP rating: 40
Glow wire: [650 °C]
IK rating: 7
Lamp included: Yes
Kind of led: SMD LED
Lamp wattage: 20 W
Lamp luminous flux: 1500 lm
Colour temperature: 3000
CRI: 80

Review board: 20-05-2014



EnaxEmin	180°	90°	0 m
113 / 71	Arroz: NAN x NAN	90°	2 m
29 / 17	Arroz: NAN x NAN		4 m
13 / 8	Arroz: NAN x NAN		6 m
8 / 5	Arroz: NAN x NAN		8 m
5 / 3	Arroz: NAN x NAN		10 m
4 / 3	Arroz: NAN x NAN		12 m

60-C180 60° x 60° 60-C170 61° x 61°

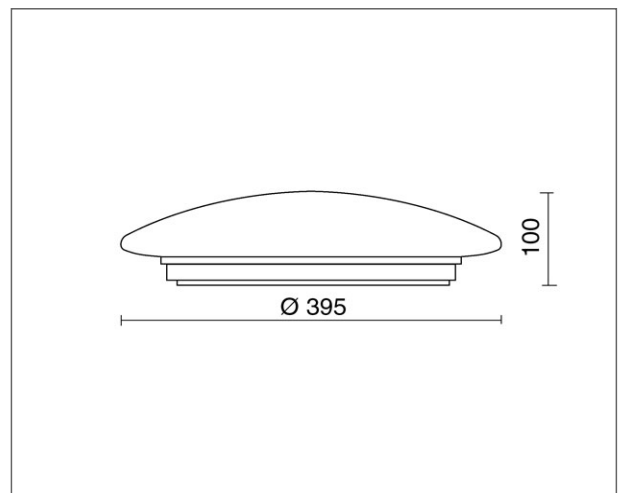
Lamp: 1 x 13 +/- 20 W 1500 lm



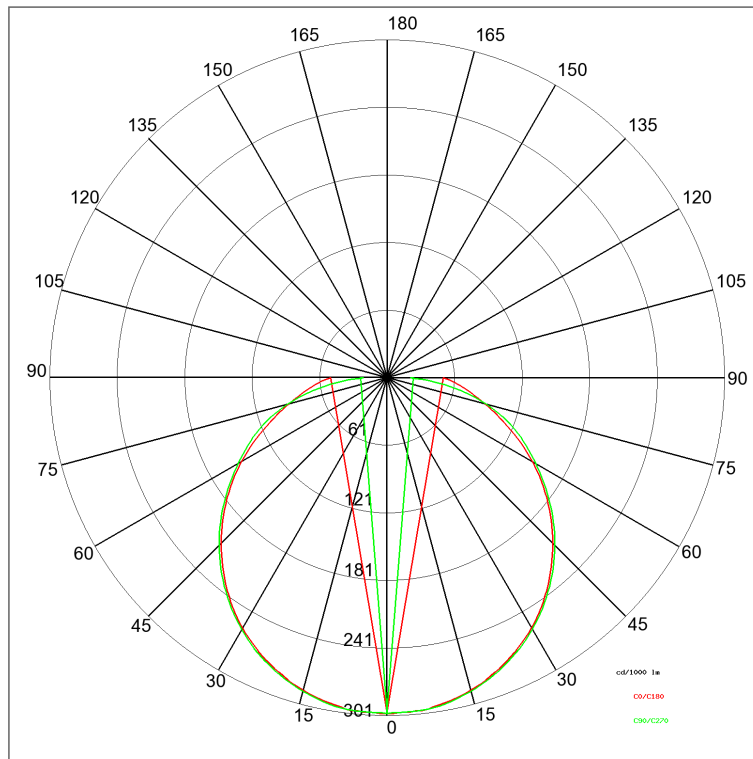
IK 7

IP 40

A



JUPITER XL
COD: 62142-LBC



E _{max} /E _{min}		180°	
			0 m
	90°		90°
		Area: NAN x NAN	2 m
113 / 71		Area: NAN x NAN	4 m
29 / 17		Area: NAN x NAN	6 m
13 / 8		Area: NAN x NAN	8 m
8 / 5		Area: NAN x NAN	10 m
5 / 3		Area: NAN x NAN	12 m
4 / 3		0°	
		C0-C180: 60° + 60°	C90-C270: 61° + 61°

JUPITER XL
COD: 62142-LBC

