

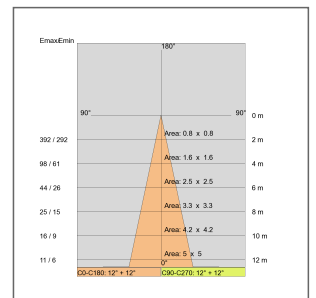
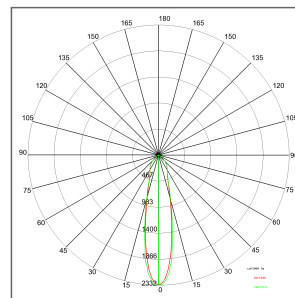
JOCKER Orientabile

COD: 2825-MLBC-25

Use:
inside, led
Installation:
Ceiling recessed
Recessed hole:
Recessed hole diam.82 mm. Recessed thickness 1-20 mm
Fixing system:
Steel wire's spring
Body/structure:
Die-cast aluminium body
Coating:
Epoxy powder coating for inside use
Colour:
White
Optic/reflector:
Polycarbonate reflector metallized
Control gear:
Not included; to be ordered separately

Current: 350mA dc
Beam angle: Symmetric narrow beam 25 Degrees
Insulation class: Insulation class 3
IP rating: 20
Glow wire: [850 °C]
Lamp included: Yes
Kind of led: Power LED
Lamp wattage: 9.8 W
Flusso lampada*: 770 lm
Colour temperature: 3000K
CRI: 80

Review board: 12-04-2013

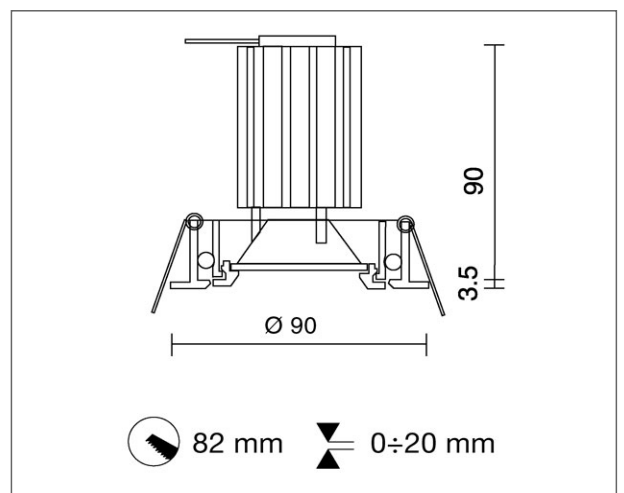


Lamp: 1 x LED +/- 9.8 W 770 lm



350mA dc

IP 20



JOCKER Orientabile
COD: 2825-MLBC-25

