

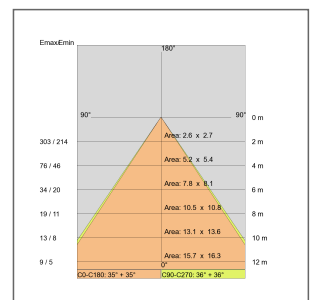
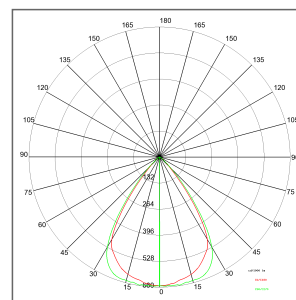
## NET RANGE MCL

COD: 63056-LBI-60

Use:  
inside, led  
Installation:  
Ceiling mounted  
Body/structure:  
Aluminium body and die-cast aluminium ring  
Coating:  
Epoxy powder coating for inside use  
Colour:  
White  
Optic/reflector:  
99,8% pure aluminium reflector  
Glass/diffuser:  
Clear tempered glass  
Cable gland:  
Silicon rubber cable gland  
Control gear:  
Integrated LED diodes ballast, stabilized output current 700mA dc

Voltage: 220-240V 50/60Hz  
Beam angle: Simmetric flood beam 60 Degrees  
Insulation class: Insulation class 1  
Weight: 2,700 kg  
IP rating: 20  
Glow wire: [850 °C]  
Lamp included: Yes  
Kind of led: Power LED  
Lamp wattage: 25 W  
Lamp luminous flux: 2550 lm  
Colour temperature: 4000K  
CRI: 80

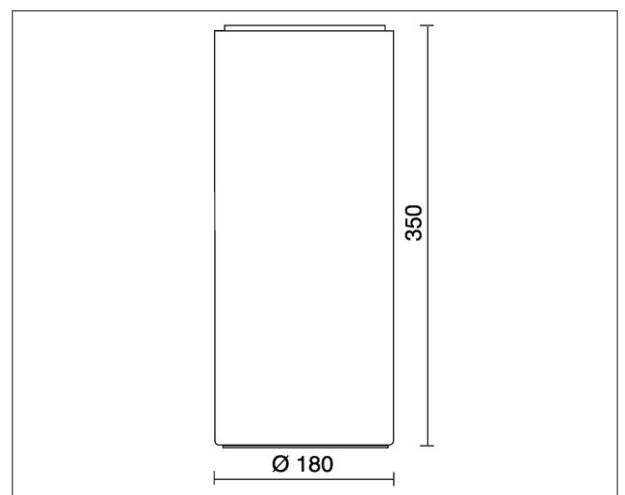
Review board: 28-11-2013



Lamp: 1 x LED +/- 25 W 2550 lm

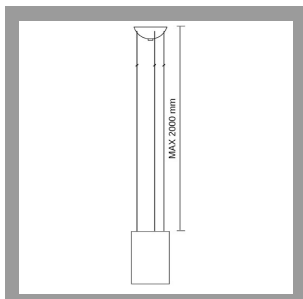


IP 20



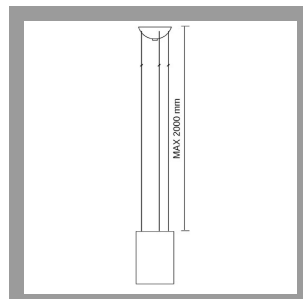
## NET RANGE MCL

COD: 63056-LBI-60



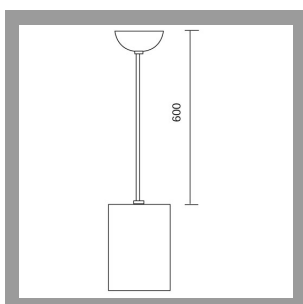
**62000-11 .**

Kit funi di acciaio per  
sospensione NET R



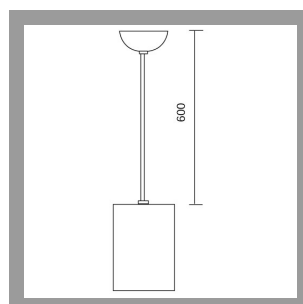
**62000-10 .**

Kit funi di acciaio per  
sospensione NET R



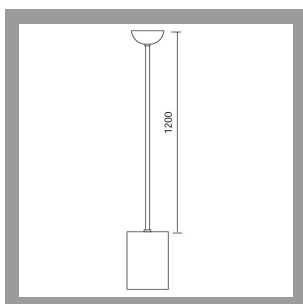
**999051 .**

Kit tige rigida per sospensione  
NET R



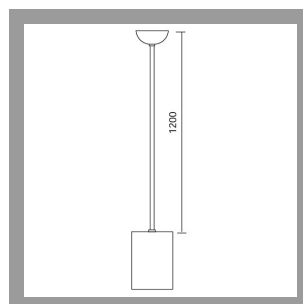
**999052 .**

Kit tige rigida per sospensione  
NET R



**999061 .**

Kit tige rigida per sospensione  
NET R

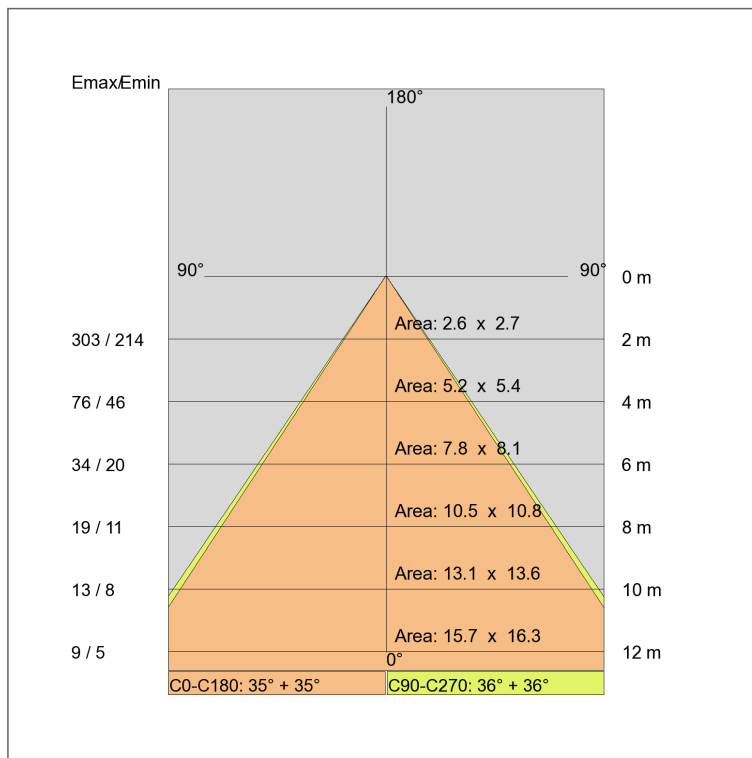
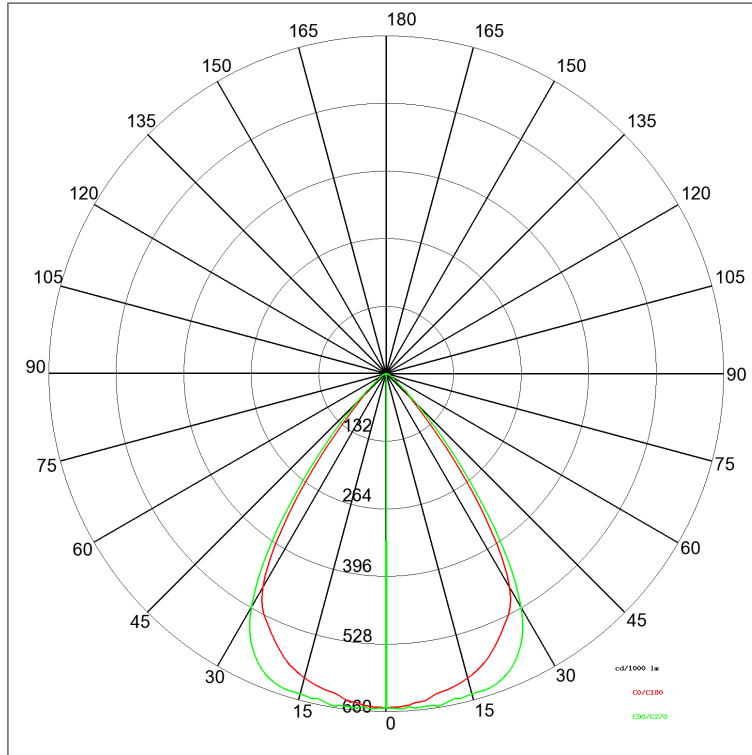


**999062 .**

Kit tige rigida per sospensione  
NET R

**NET RANGE MCL**

COD: 63056-LBI-60



**NET RANGE MCL**  
COD: 63056-LBI-60

