

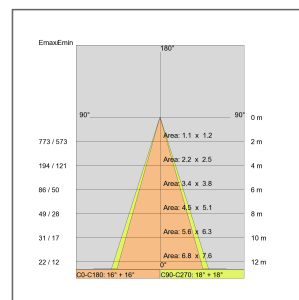
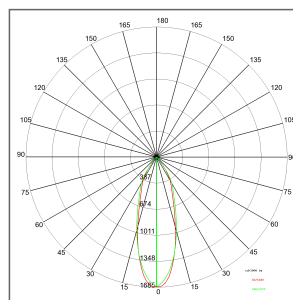
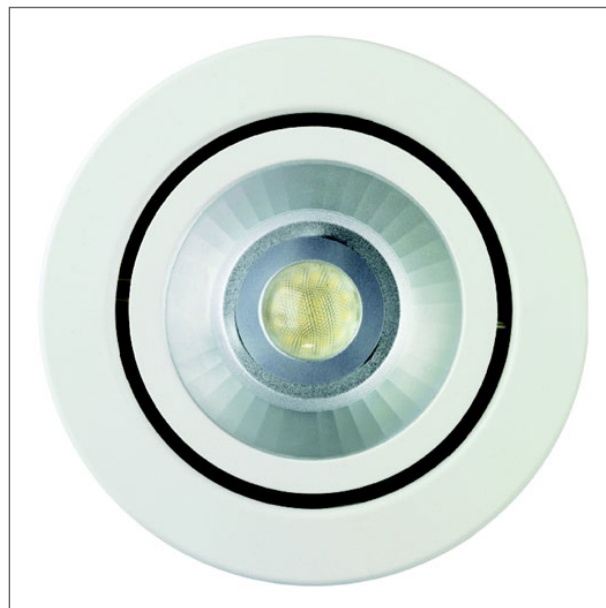
**NET MCL orientabile**  
COD: 57554-LBI

Use:  
inside, led  
Installation:  
Ceiling recessed  
Recessed hole:  
Recessed hole diam.156 mm. Recessed thickness 1-30 mm  
Fixing system:  
Adjustable brackets supplied  
Body/structure:  
Aluminium body and die-cast aluminium ring  
Coating:  
Epoxy powder coating for inside use  
Colour:  
White  
Optic/reflector:  
99,8% pure aluminium reflector - Adjustable optic  
Cable gland:  
Nylon 66 cable locks  
Control gear:  
Remote LED diodes ballast, stabilized output current 700mA dc

Voltage: 220-240V 50/60Hz  
Beam angle: Simmetric flood beam 30 Degrees  
Insulation class: Insulation class 1  
Weight: 1,950 kg  
IP rating: 20  
Glow wire: [850 °C]  
Lamp included: Yes  
Kind of led: Power LED  
Lamp wattage: 25 W  
Flusso lampada\*: 2500 lm  
Colour temperature: 4000K  
CRI: 80

Notes:  
On request 100° beam angle.

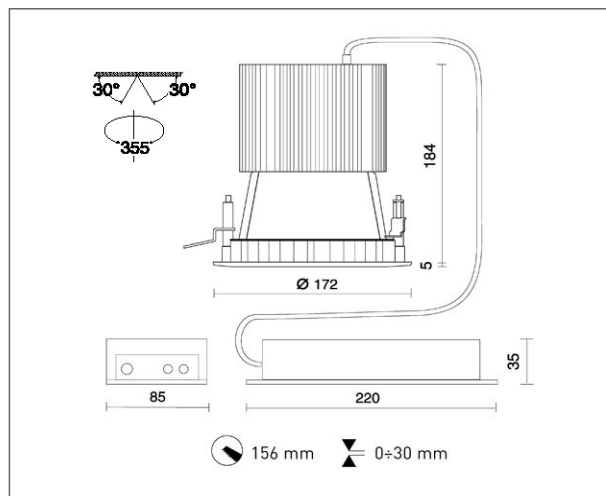
Review board: 28-11-2013



Lamp: 1 x LED +/- 25 W 2500 lm



IP 20



**NET MCL orientabile**

COD: 57554-LBI

