

NET SC XL
COD: 5798-LBC

Use:
inside, led
Installation:
Ceiling recessed
Recessed hole:
Recessed hole diam.200 mm. Recessed thickness 5-30 mm
Fixing system:
Adjustable brackets supplied
Body/structure:
Steel body
Coating:
Epoxy powder coating for inside use
Colour:
White
Glass/diffuser:
Polycarbonate opal diffuser
Cable gland:
Nylon 66 cable locks
Control gear:
Integrated LED diodes ballast, stabilized output current 700mA dc

Voltage: 220-240V 50/60Hz
Beam angle: Simmetric flood beam
Insulation class: Insulation class 2
Weight: 0,730 kg
IP rating: 20
Glow wire: [650 °C]
Lamp included: Yes
Kind of led: SMD LED
Lamp wattage: 13 W
Lamp luminous flux: 1700 lm
Colour temperature: 3000°K
CRI: 80

Review board: 24-06-2014

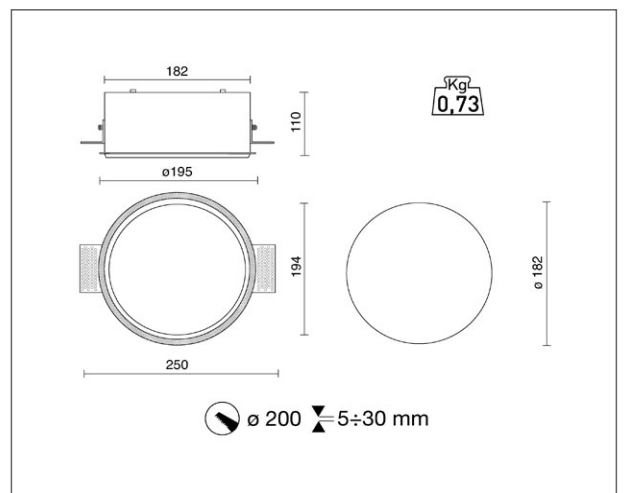


Lamp: 1 x LED +/- 13 W 1700 lm



IP 20

A+



NET SC XL
COD: 5798-LBC



NET SC XL
COD: 5798-LBC

