

JUNIOR PLUS MCL

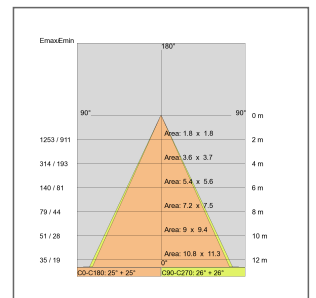
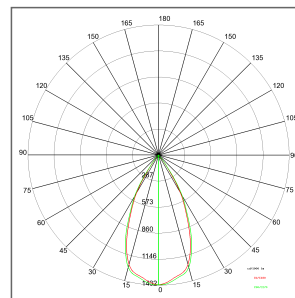
COD: 67743-LBI-40

Use:
inside, led
Installation:
Track mounted
Fixing system:
Electrical adaptor for track mounting
Body/structure:
Die-cast aluminium body
Coating:
Epoxy powder coating for inside use
Colour:
White
Optic/reflector:
99,8% pure aluminium reflector - Adjustable optic
Glass/diffuser:
Clear tempered glass
Control gear:
Integrated LED diodes ballast, stabilized output current 500mA dc

Voltage:	220-240V 50/60Hz
Beam angle:	Simmetric flood beam 40 Degrees
Insulation class:	Insulation class 1
Weight:	1,510 kg
IP rating:	20
Glow wire:	[850 °C]
Lamp included:	Yes
Kind of led:	Power LED
Lamp wattage:	17 W
Lamp luminous flux:	1900 lm
Colour temperature:	4000K
CRI:	80

Notes:
On request version with round base diam. 100mm.

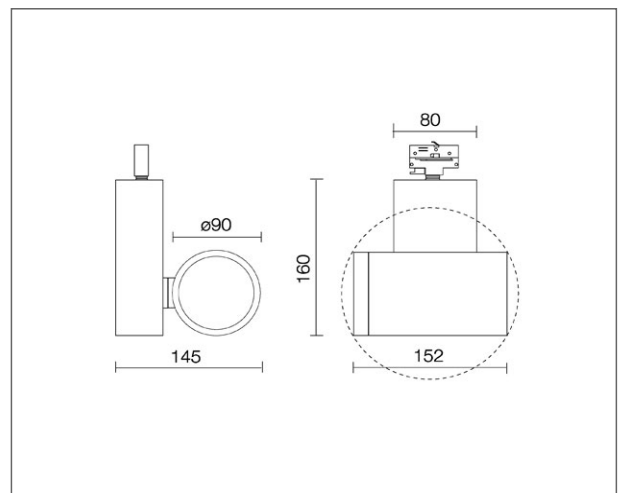
Review board: 18-10-2013



Lamp: 1 x LED +/- 17 W 1900 lm

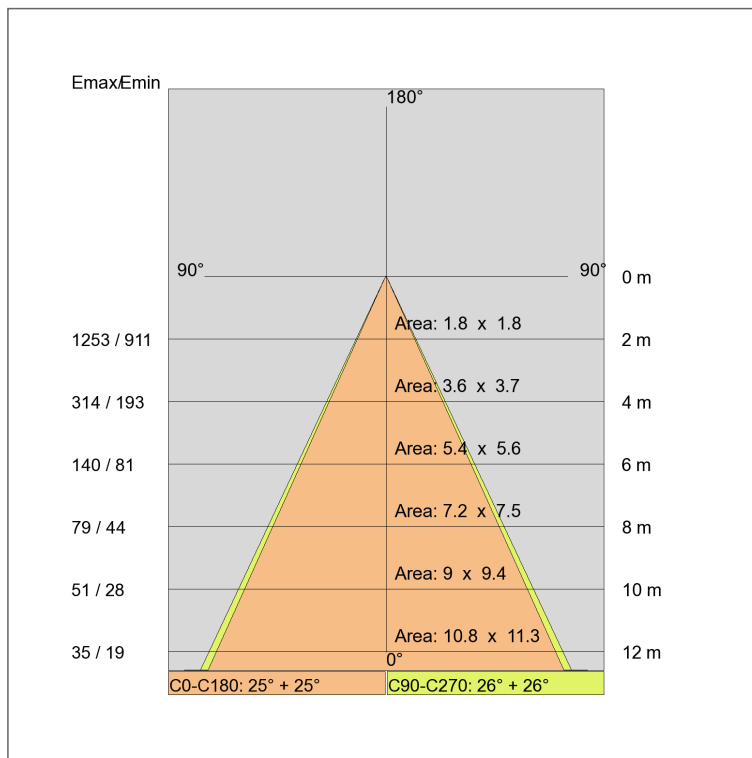
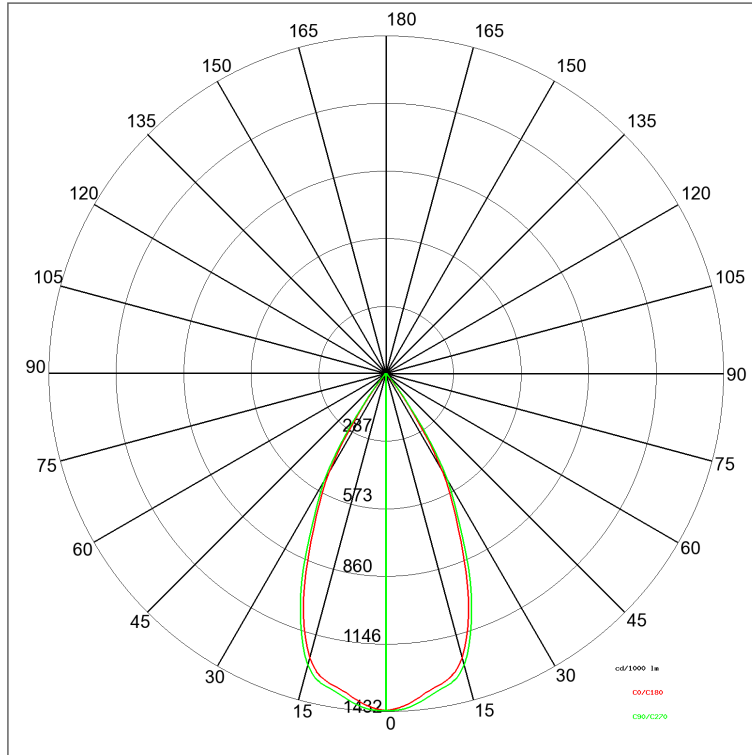


IP 20



JUNIOR PLUS MCL

COD: 67743-LBI-40



JUNIOR PLUS MCL
COD: 67743-LBI-40

