

JUNIOR PLUS LED

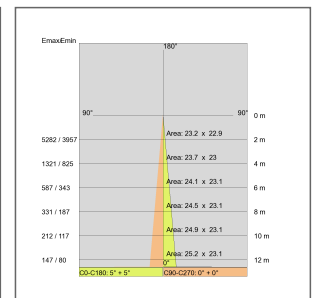
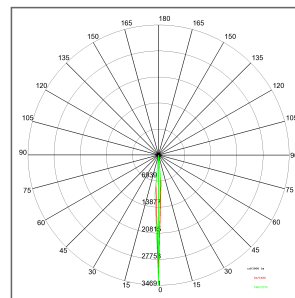
COD: 67721-LBC-30

Use:
inside, led
Installation:
Track mounted
Fixing system:
Electrical adaptor for track mounting
Body/structure:
Die-cast aluminium body
Coating:
Epoxy powder coating for inside use
Colour:
Black
Optic/reflector:
99,8% pure aluminium reflector - Adjustable optic
Glass/diffuser:
Clear tempered glass
Control gear:
Integrated LED diodes ballast, stabilized output current 700mA dc

Voltage:	230V 50/60Hz
Beam angle:	Symmetric narrow beam 10 Degrees
Insulation class:	Insulation class 1
Weight:	0,950 kg
IP rating:	20
Glow wire:	[650 °C]
Lamp included:	Yes
Lamp wattage:	7 W
Lamp luminous flux:	410 lm
Colour temperature:	3000K
CRI:	80

Notes:
Module powered 6 x 1,2W 350mA on request

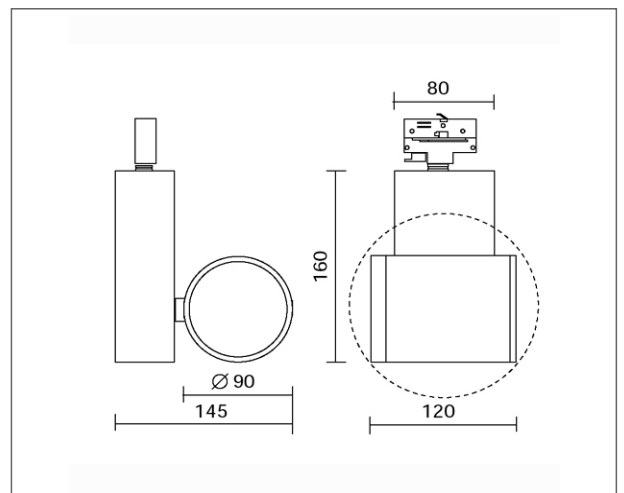
Review board: 08-02-2011



Lamp: 1 x 7 W 410 lm

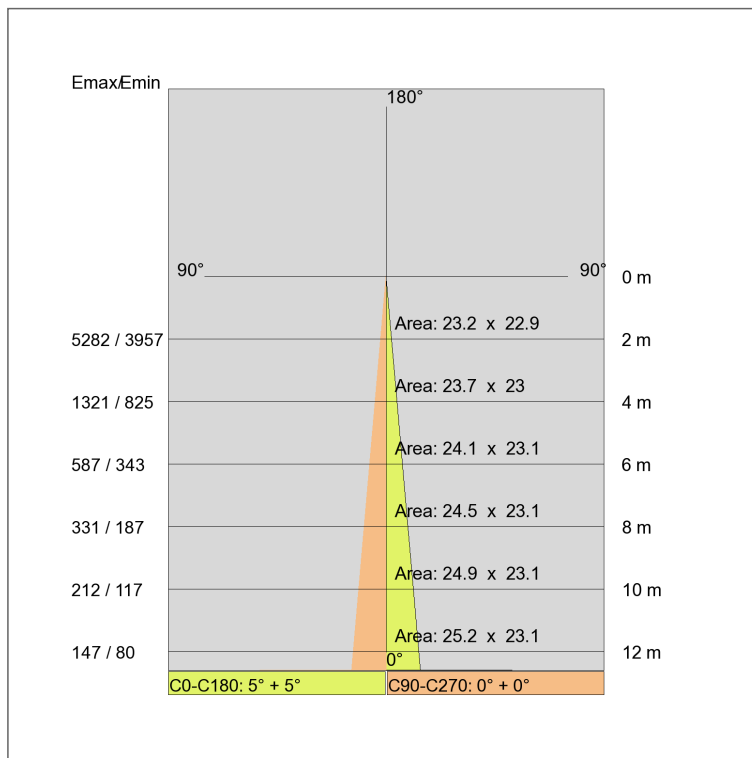
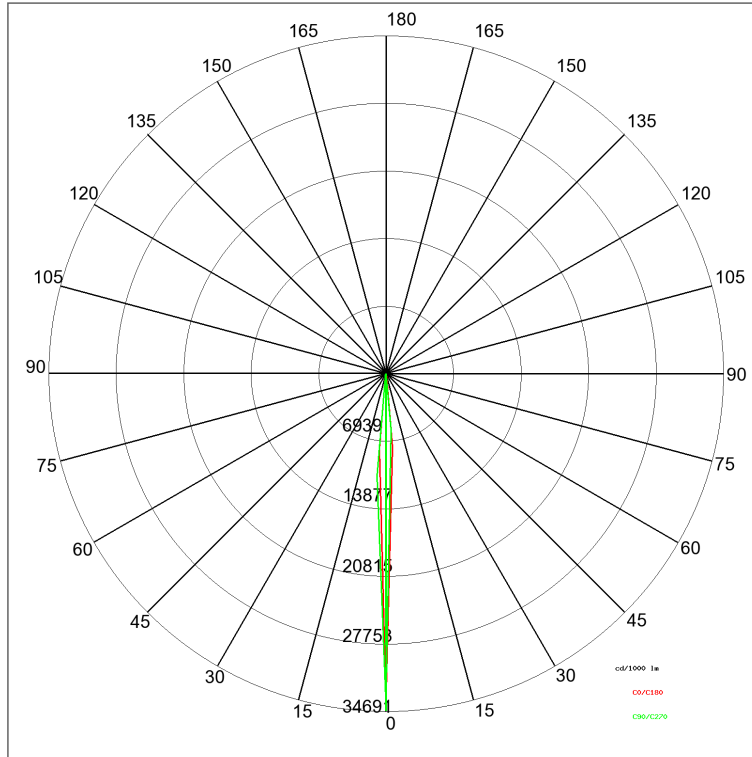


IP 20



JUNIOR PLUS LED

COD: 67721-LBC-30



JUNIOR PLUS LED
COD: 67721-LBC-30

