

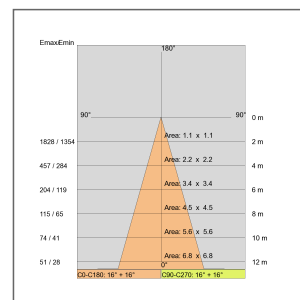
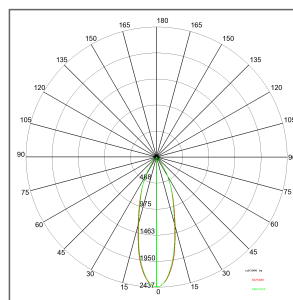
**LUXOR-V XL**  
COD: 67800/LBI/30

Use:  
inside, led  
Installation:  
Track mounted  
Fixing system:  
Electrical adaptor for track mounting  
Body/structure:  
Die-cast aluminium body  
Coating:  
Epoxy powder coating for inside use  
Colour:  
White  
Optic/reflector:  
99,8% pure aluminium reflector - Adjustable optic  
Control gear:  
LED driver

Voltage: 220-240V 50/60Hz  
Beam angle: Simmetric flood beam 30 Degrees  
Insulation class: Insulation class 1  
Weight: 2,150 kg  
IP grade: 20  
Glow wire: [850 °C]  
Lamp included: Yes  
Kind of led: Power LED  
Colour temperature: 4000K  
CRI: 80

Notes:  
LED source 3000 Lm.

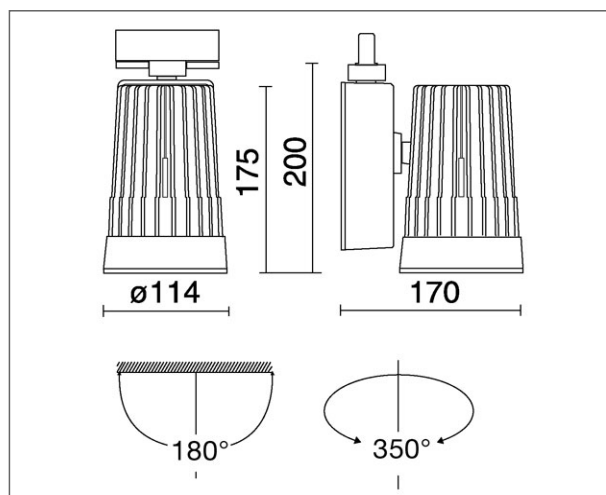
Review board: 16-01-2013



Lamp: 1 x LED +/- 37.00 W



IP 20



**LUXOR-V XL**  
COD: 67800/LBI/30

