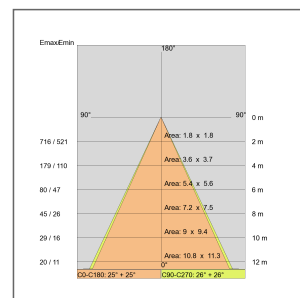
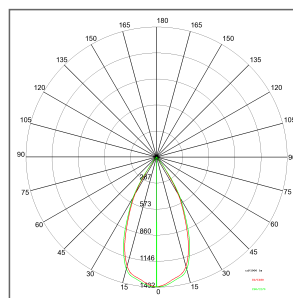


LUXOR-O XS
COD: 67771-LBC-40

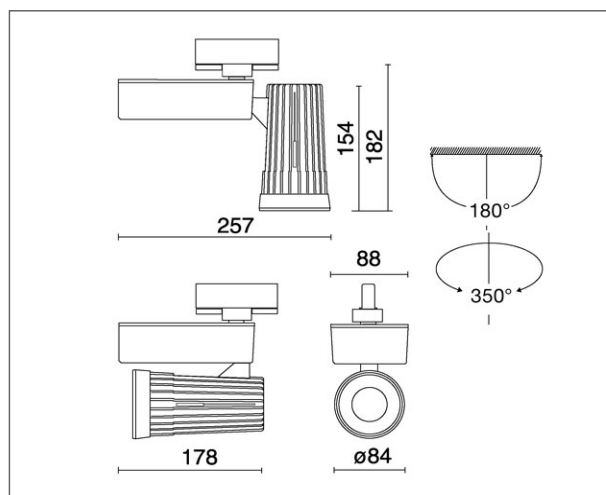
Use:
inside, led
Installation:
Track mounted
Fixing system:
Electrical adaptor for track mounting
Body/structure:
Die-cast aluminium body
Coating:
Epoxy powder coating for inside use
Colour:
Black
Optic/reflector:
99,8% pure aluminium reflector - Adjustable optic
Control gear:
LED driver

Voltage:	220-240V 50/60Hz
Beam angle:	Simmetric flood beam 40 Degrees
Insulation class:	Insulation class 1
Weight:	1,300 kg
IP rating:	20
Glow wire:	[850 °C]
Lamp included:	Yes
Kind of led:	Power LED
Lamp wattage:	25 W
Lamp luminous flux:	1750 lm
Colour temperature:	3000K
CRI:	80

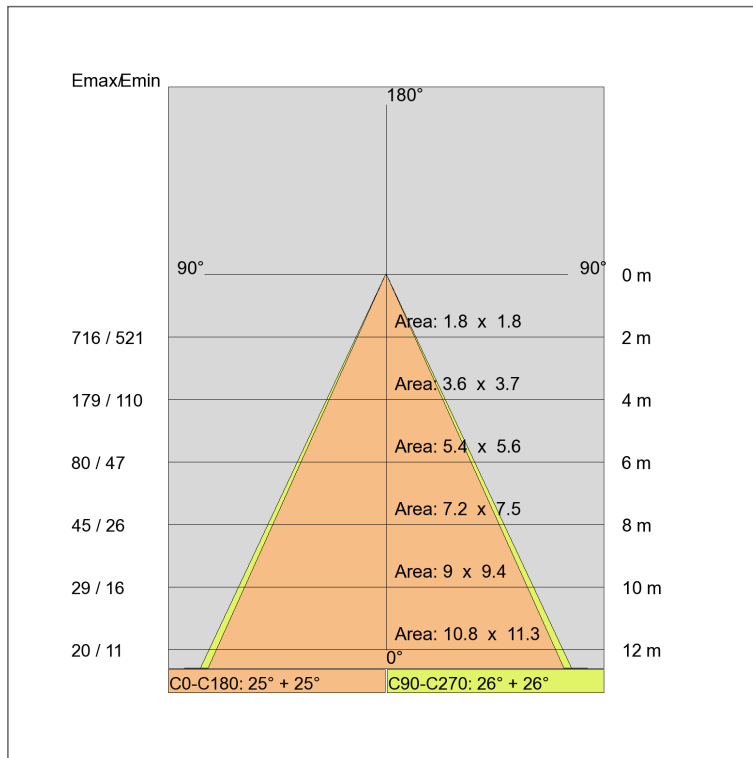
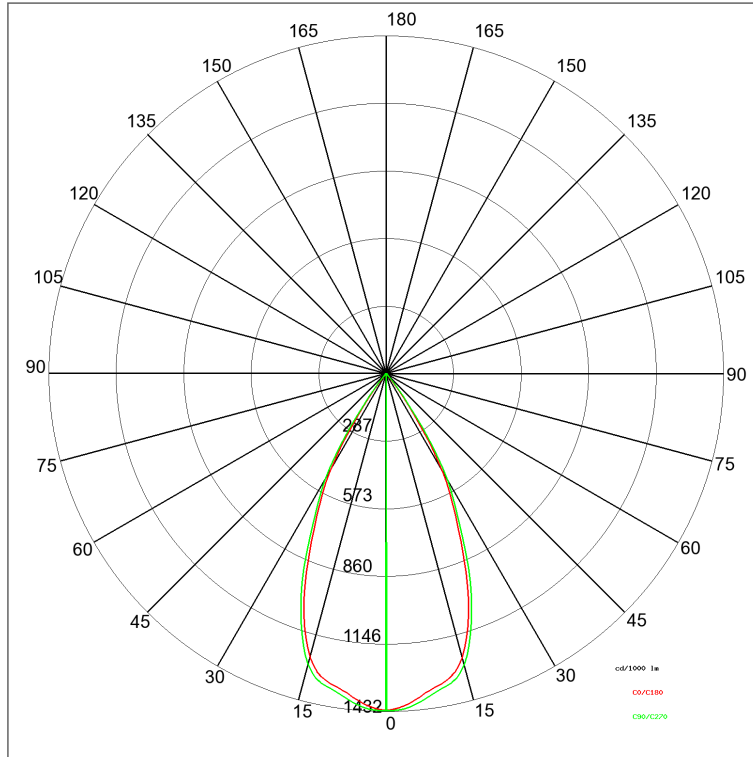
Review board: 27-11-2013



Lamp: 1 x LED +/- 25 W 1750 lm



LUXOR-O XS
COD: 67771-LBC-40



LUXOR-O XS
COD: 67771-LBC-40

