

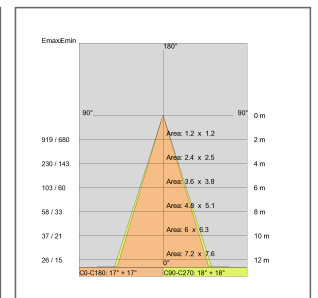
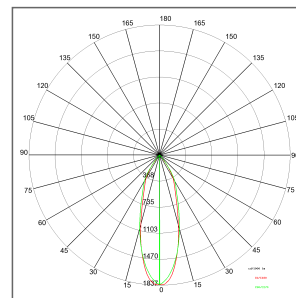
SENIOR MCL
COD: 67725/LBC/30

Use:
inside, led
Installation:
Track mounted
Fixing system:
Electrical adaptor for track mounting
Body/structure:
Die-cast aluminium body
Coating:
Epoxy powder coating for inside use
Colour:
White
Optic/reflector:
99,8% pure aluminium reflector - Adjustable optic
Control gear:
Integrated LED diodes ballast, stabilized output current 700mA dc

Voltage: 220-240V 50/60Hz
Beam angle: Simmetric flood beam 30 Degrees
Insulation class: Insulation class 1
Weight: 2,600 kg
IP grade: 20
Glow wire: [850 °C]
Lamp included: Yes
Kind of led: Power LED
Colour temperature: 3000K
CRI: 82

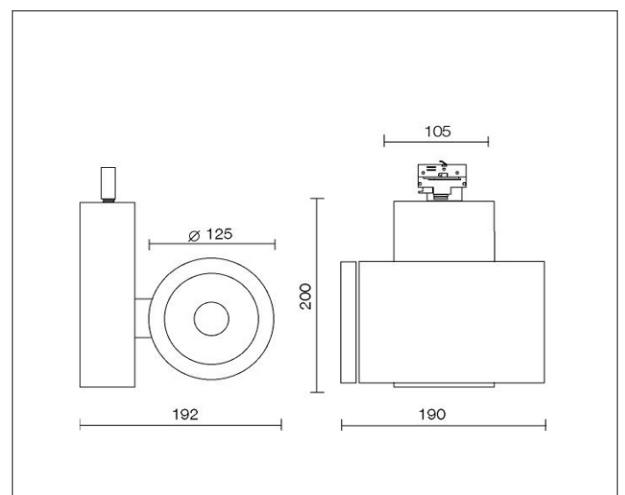
Notes:
LED source 2000 Lm.

Review board: 23-11-2011



Lamp: 1 x LED +/- 32.00 W

IP 20



SENIOR MCL
COD: 67725/LBC/30

