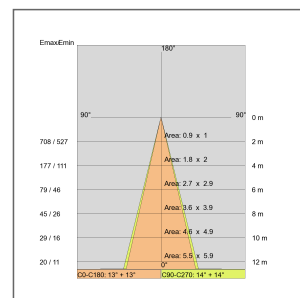
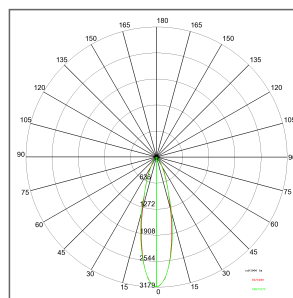
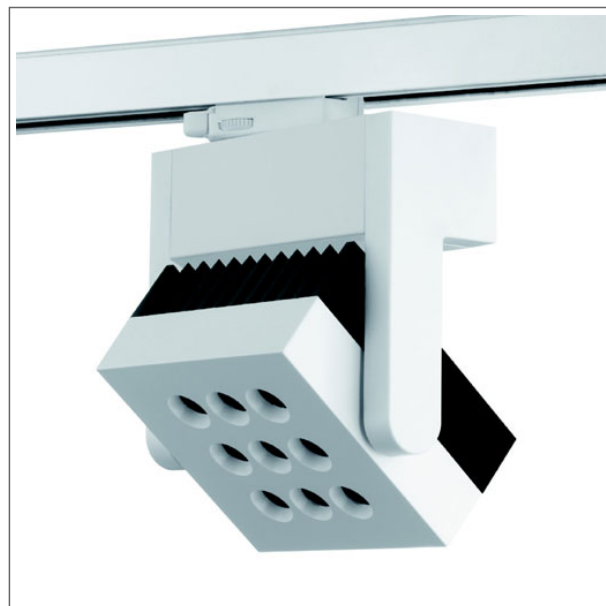


VEGA XS
COD: 67780-LBN

Use:
inside, led
Installation:
Track mounted
Fixing system:
Electrical adaptor for track mounting
Body/structure:
body components made of extruded aluminum and die-cast aluminum
optical assembly
Coating:
Epoxy powder coating for inside use
Colour:
White
Optic/reflector:
Metacrylate LED lens - Adjustable optic
Control gear:
Integrated LED diodes ballast, stabilized output current 350mA dc

Voltage: 220-240V 50/60Hz
Beam angle: Simmetric flood beam 30 Degrees
Insulation class: Insulation class 1
Weight: 1,700 kg
IP rating: 40
Glow wire: [850 °C]
Lamp included: Yes
Lamp wattage: 10 W
Lamp luminous flux: 970 lm
Colour temperature: 4000K
CRI: 80

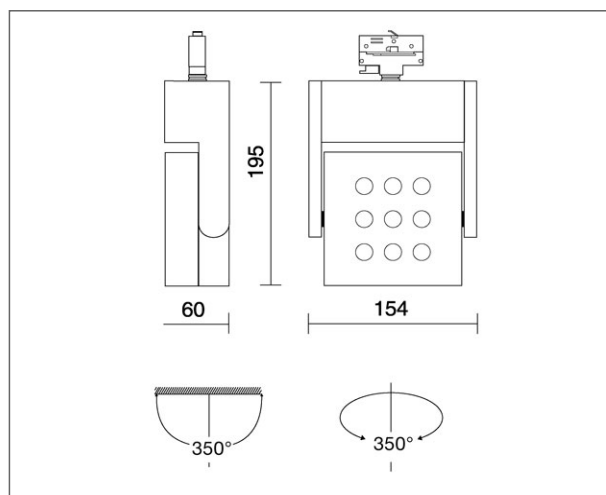
Review board: 02-09-2014



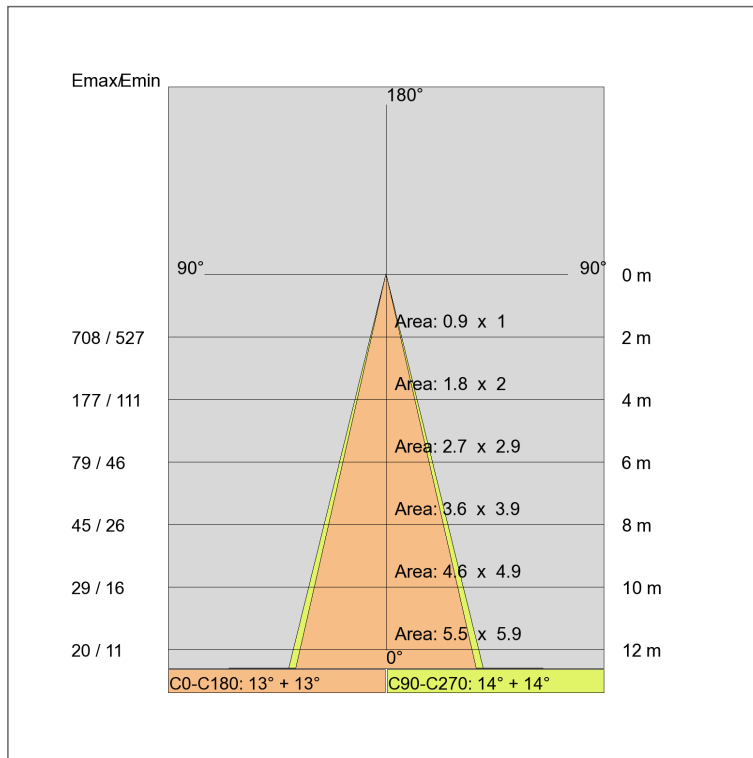
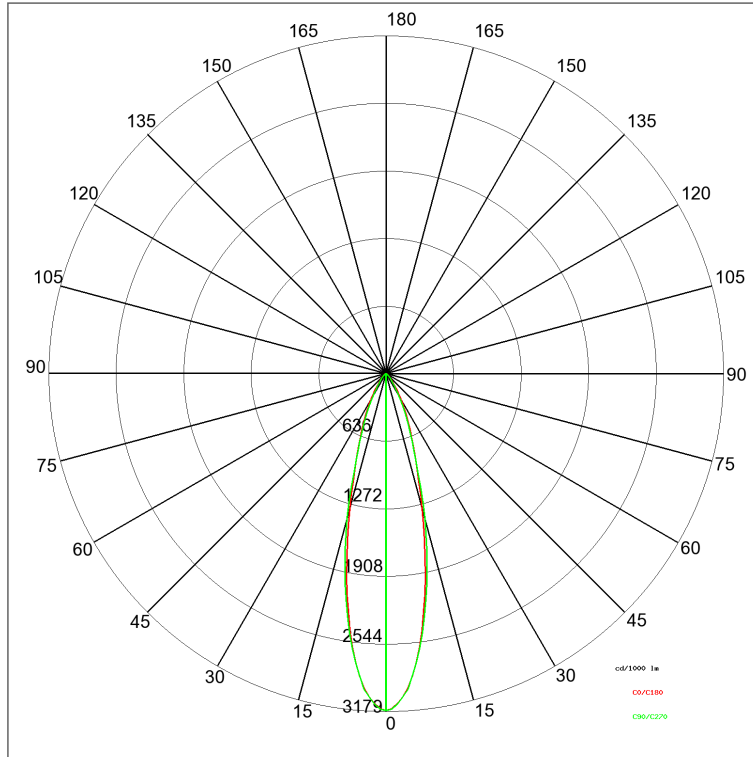
Lamp: 1 x 10 W 970 lm



IP 40 **A+**



VEGA XS
COD: 67780-LBN



VEGA XS
COD: 67780-LBN

