



Indoor

526

PIL66 IP66 T5 FQ



Technical data

**IDEALLUX**  
Every time italian light

526

PIL66 IP66 T5 FQ



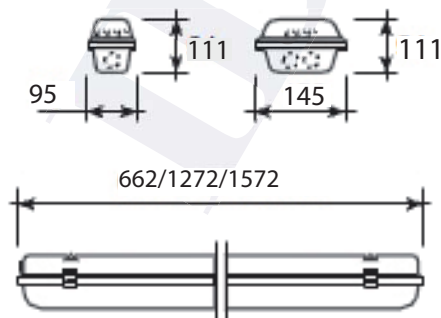
Body: Polycarbonate self-extinguishing grey colour.  
 Diffuser: Polycarbonate trasparent self-extinguishing .  
 Gear Tray (reflector): White powder coated steel sheet fixed to the body, retaining clips with electrical components.  
 IP Rate: IP66.  
 Lampholder: G5.  
 Cablegland: PG13 in nylon.

Weight: to 1.00 at 3.70 Kg  
 Wiring: CAE(High frequency electronic ballast)  
 DIM (dimmable)  
 DALI (DALI).  
 Lamps: T5 (linear fluorescent tube)  
 Gasket: Polyuretane.  
 Back of housing: Easy to install accessories in stainless steel suspension brackets and hooks.  
 Holding hooks:  
 On request: Kit Emergency  
 Stainless steel clips.

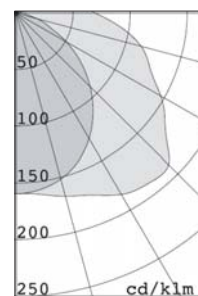
Code	Description	Weight	grey
526/44/*	PIL66 IP66 T5 FQ 1x24w	1.00 Kg	
526/48/*	PIL66 IP66 T5 FQ 1x54w	1.80 Kg	
526/50/*	PIL66 IP66 T5 FQ 1x49w	2.30 Kg	
526/51/*	PIL66 IP66 T5 FQ 1x80w	2.30 Kg	
526/53/*	PIL66 IP66 T5 FQ 2x24w	1.70 Kg	
526/57/*	PIL66 IP66 T5 FQ 2x54w	2.70 Kg	
526/59/*	PIL66 IP66 T5 FQ 2x49w	3.70 Kg	
526/60/*	PIL66 IP66 T5 FQ 2x80w	3.70 Kg	



Drawing



Photometric curve



Maintenance



Ideallux s.r.l.  
 Via G. Casalinghino 11  
 27024 Cilavegna (PV)  
 Tel +39 0381 969814  
 Fax +39 0381 96484  
 info@ideallux.it  
 www.ideallux.it

**IDEALLUX**  
 Every time italian light