



Indoor

526

PIL66 IP66 T8



Technical data

IDEALLUX
Every time italian light

526

PIL66 IP66 T8

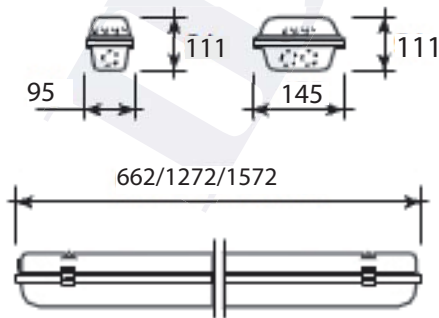


Body:	Polycarbonate self-extinguishing grey colour.	Weight:	to 1.00 at 2.70 Kg
Diffuser:	Polycarbonate trasparent self-extinguishing .	Wiring:	CR (High power factor) CAE(High frequency electronic ballast) DIM (dimmable) DALI (DALI).
Gear Tray (reflector):	White powder coated steel sheet fixed to the body, retaining clips with electrical components.	Lamps:	T8 (linear fluorescent tube)
IP Rate:	IP66.	Gasket:	Polyuretane.
Lampholder:	G13.	Back of housing:	Easy to install accessories in stainless steel suspension brackets and hooks.
Cablegland:	PG13 in nylon.	Holding hooks:	Polycarbonate steel suspension brackets and hooks.
		On request:	Kit Emergency Stainless steel clips.

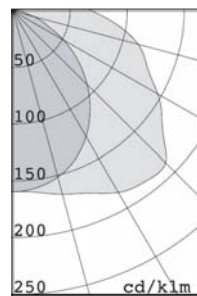
Code	Description	Weight	grey
526/1/*	PIL66 IP66 T8 1x18w	1.00 Kg	
526/2/*	PIL66 IP66 T8 1x36w	1.80 Kg	
526/3/*	PIL66 IP66 T8 1x58w	2.30 Kg	
526/4/*	PIL66 IP66 T8 2x18w	1.70 Kg	
526/5/*	PIL66 IP66 T8 2x36w	2.70 Kg	
526/6/*	PIL66 IP66 T5 2x58w	2.70 Kg	



Drawing



Photometric curve



Maintenance



Ideallux s.r.l.
Via G. Casalingo 11
27024 Cilavegna (PV)
Tel +39 0381 969814
Fax +39 0381 96484
info@ideallux.it
www.ideallux.it

IDEALLUX
Every time italian light