

**DOUBLE LIGHT 175 LAMP. ORIZZONTALE**  
COD: E5068

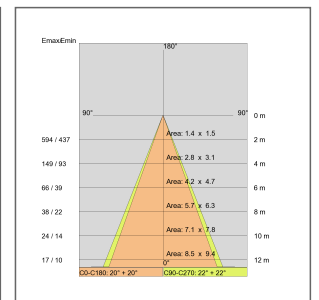
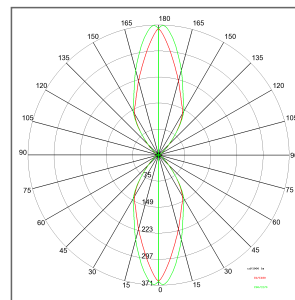
Use:  
outside  
Installation:  
Wall mounted  
Body/structure:  
Die-cast aluminium body  
Coating:  
Polyester powder coating with special treatment for outdoor use

Colour:  
White  
Optic/reflector:  
99,8% pure aluminium reflector  
Equipment:  
Silicon rubber gaskets  
Glass/diffuser:  
Clear tempered glass  
Cable gland:  
Silicon rubber cable gland PG11  
Control gear:  
Integrated electronic ballast

Voltage: 220-240V 50/60Hz  
Beam angle: Simmetric flood beam 45 Degrees  
High power factor: Yes  
Insulation class: Insulation class 1  
Weight: 5,600 kg  
IP rating: 65  
Glow wire: [850 °C]

Notes:  
Horizontal single lamp

Review board: 03-09-2013

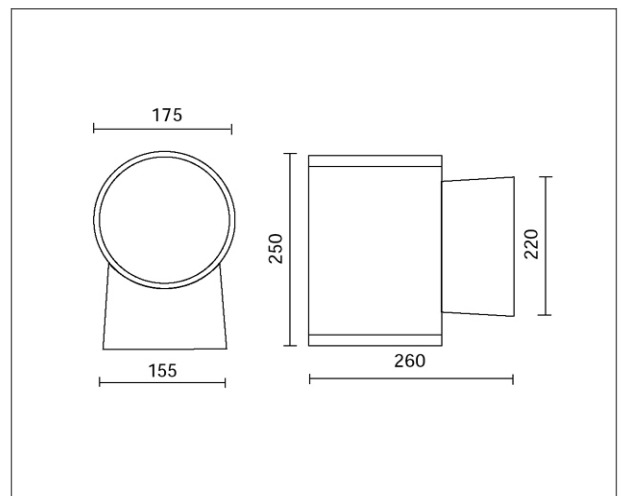


Lamp: 1 x MT G12 70.00 W



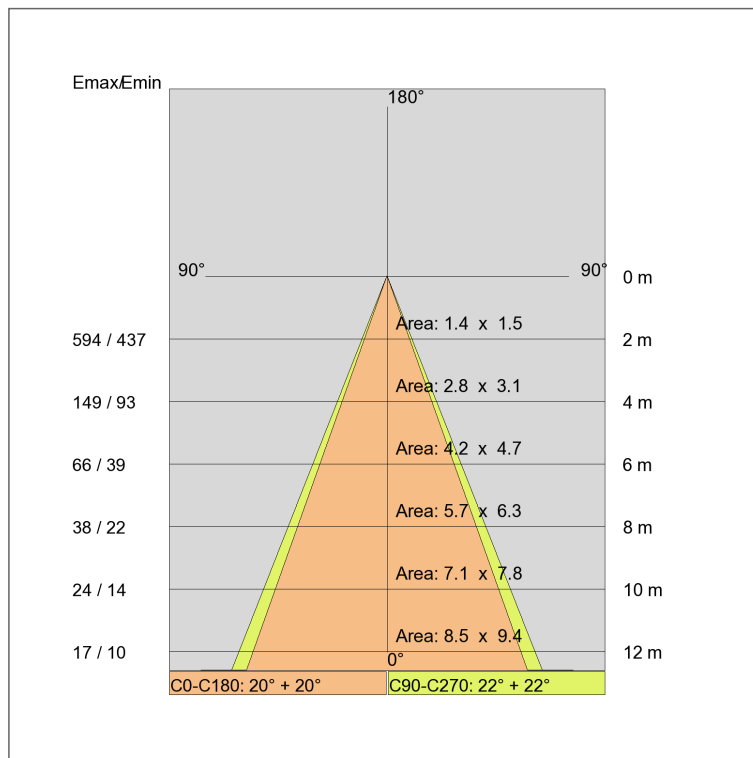
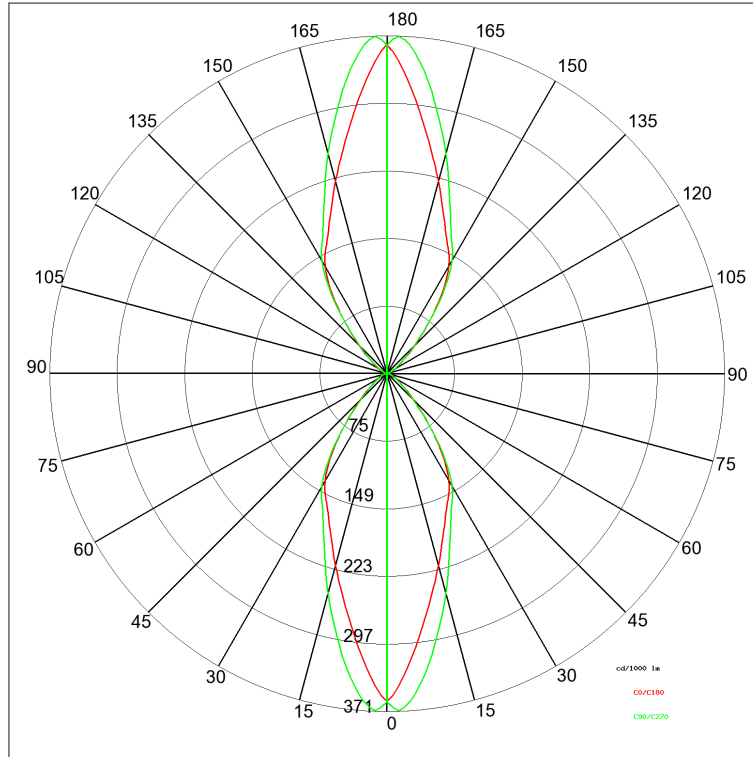
IP 65

A+



**DOUBLE LIGHT 175 LAMP. ORIZZONTALE**

COD: E5068



**DOUBLE LIGHT 175 LAMP. ORIZZONTALE**  
COD: E5068

