

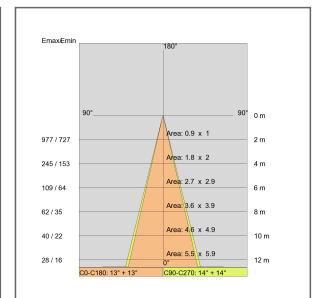
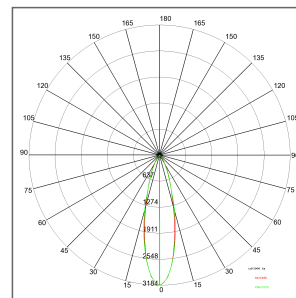
**ELLE XS LED**  
COD: E4072-LBC

Use:  
outside, led  
Installation:  
Free standing  
Body/structure:  
Die-cast aluminium body  
Coating:  
Epoxy powder coating with special treatment for outdoor use  
Colour:  
Black  
Optic/reflector:  
Metacrylate LED lens  
Equipment:  
Silicon rubber gaskets  
Glass/diffuser:  
Clear serigraphed tempered glass  
Cable gland:  
Silicon rubber cable gland PG11  
Control gear:  
Integrated LED diodes ballast, stabilized output current 350mA dc

Voltage: 220-240V 50/60Hz  
Beam angle: Simmetric flood beam 30 Degrees  
Insulation class: Insulation class 1  
Weight: 2,500 kg  
IP rating: 65  
Glow wire: [850 °C]  
Lamp included: Yes  
Kind of led: Power LED  
Lamp wattage: 14.5 W  
Flusso lampada\*: 1300 lm  
Colour temperature: 3000K  
CRI: 80

Notes:  
H = 500 mm

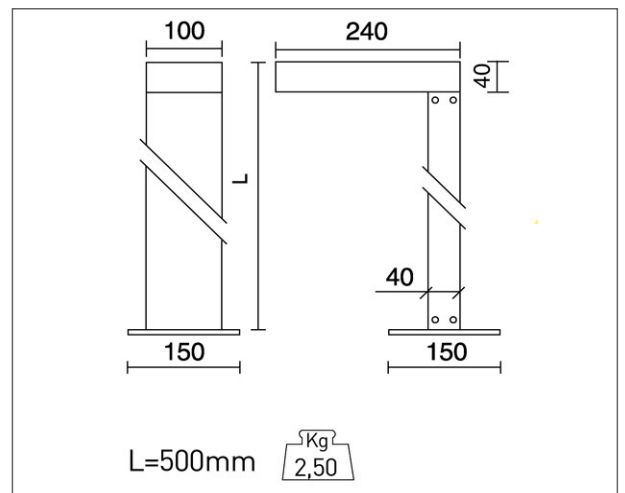
Review board: 15-11-2013



Lamp: 1 x LED +/- 14.5 W 1300 lm



IP 65



**ELLE XS LED**  
COD: E4072-LBC

