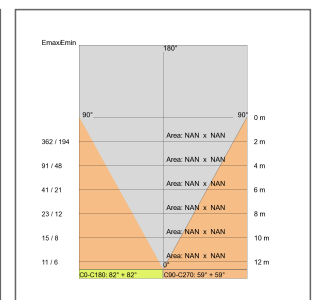
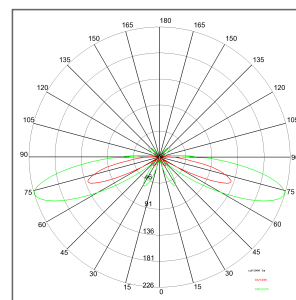


POLE
COD: E5722

Use:
outside
Installation:
Free standing
Body/structure:
Die-cast aluminium body
Coating:
Epoxy powder coating with special treatment for outdoor use
Colour:
Grey
Optic/reflector:
Pure aluminium reflector
Equipment:
Silicon rubber gaskets
Glass/diffuser:
Polycarbonate diffuser
Cable gland:
Silicon rubber cable gland PG11
Control gear:
Integrated electronic ballast

Voltage: 220-240V 50/60Hz
Beam angle: Symmetric, omnidirectional
High power factor: Yes
Insulation class: Insulation class 1
Weight: 6,500 kg
IP grade: 65
Glow wire: [850 °C]
Lamp included: Yes

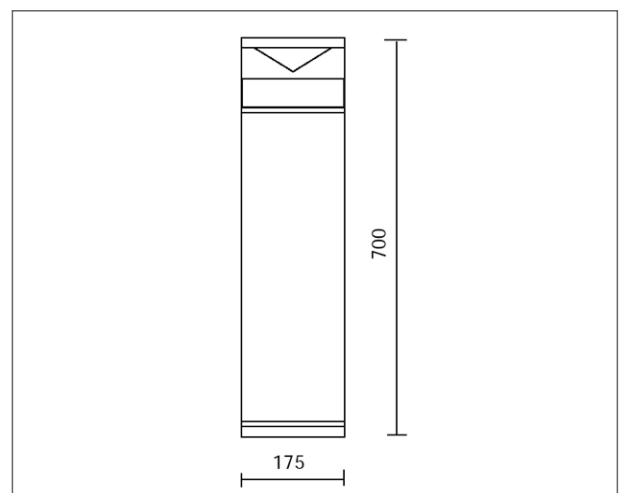
Revisione scheda*: 23-06-2011



Lamp: 1 x MT G8,5 70.00 W



220-240V 50/60Hz IP 65



POLE
COD: E5722



899
POZZETTO DA INTERRARE

POLE
COD: E5722

